



# ML2012HP SERIES - Multilayer Power Chip Inductors

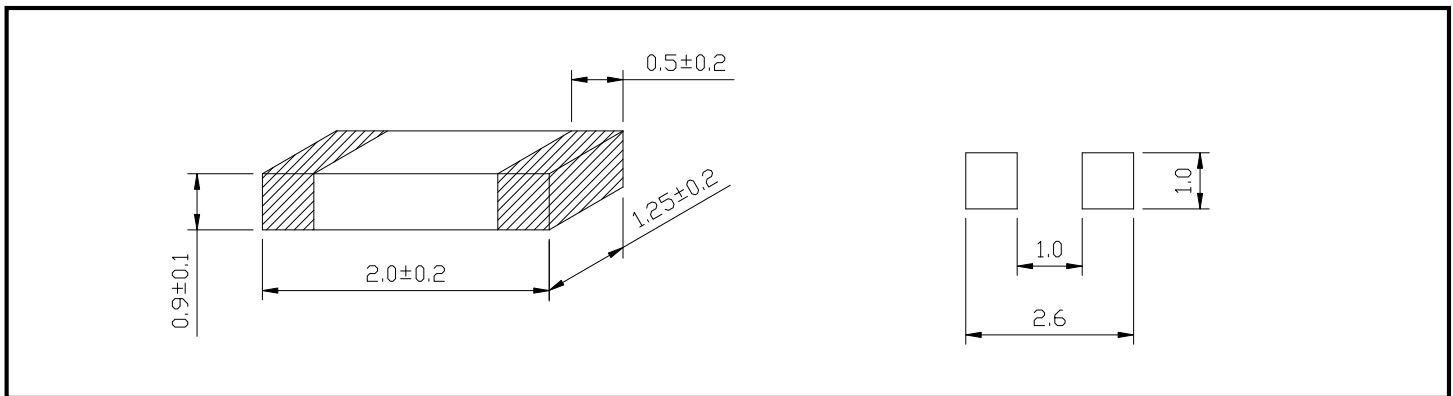


## PART NUMBERING SYSTEM

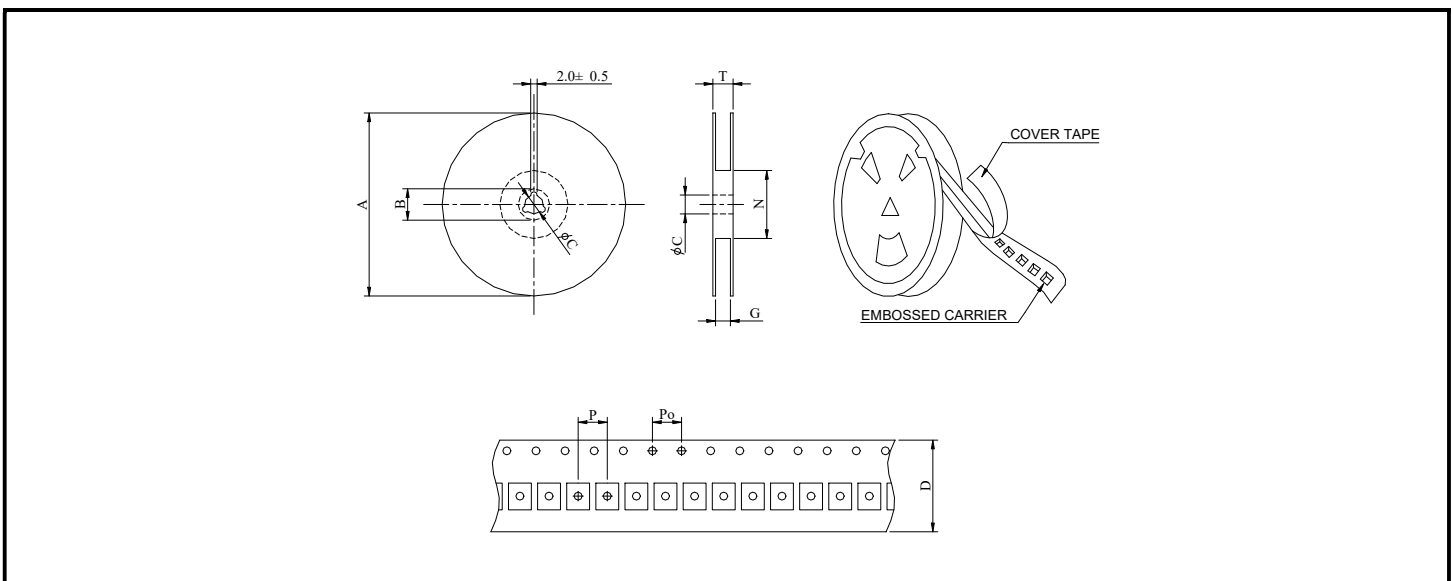
<b>ML</b>	<b>2012HP</b>	—	<b>1R5M</b>	—	<b>LF</b>
TYPE	DIMENSIONS		INDUCTANCE		LEAD FREE

## SHAPES AND DIMENSIONS

UNIT : mm



## PACKAGING SPECIFICATION



SERIES	STAYLE	Q'TY (PCS)	DIMENSIONS (m/m)								
			A	B±0.8	C±0.5	D	G <sup>+</sup>	N <sup>0</sup>	P	Po	T
ML2012HP	178	4000	178	21	13	8	18	50	4	4	22.4

## ML2012HP SERIES – Multilayer Power Chip Inductors



### SPECIFICATION TABLE

PART NUMBER	INDUCTANCE ( $\mu$ H)	DCR ( $\Omega$ ) (max)	L TEST FREQUENCY	RATED CURRENT (mA) Max.	SRF MHz (Min.)
ML2012HP-R47M-LF	0.47 $\pm$ 20%	0.10 $\pm$ 25%	1MHz /250mV	1100	100
ML2012HP-R47M-3.9A-LF	0.47 $\pm$ 20%	0.035 $\Omega$ Max.	2MHz /200mV	3900	
ML2012HP-R68M-LF	0.68 $\pm$ 20%	0.12 $\pm$ 25%	1MHz /250mV	1000	100
ML2012HP-R82M-LF	0.82 $\pm$ 20%	0.14 $\pm$ 25%	1MHz /250mV	900	90
ML2012HP-1R0M-LF	1.0 $\pm$ 20%	0.16 $\pm$ 25%	1MHz /250mV	800	90
ML2012HP-1R0M-2.3A-LF	1.0 $\pm$ 20%	0.078 $\Omega$ Max.	2MHz /200mV	2300	
ML2012HP-1R2M-LF	1.2 $\pm$ 20%	0.18 $\pm$ 25%	1MHz /250mV	800	80
ML2012HP-1R5M-LF	1.5 $\pm$ 20%	0.22 $\pm$ 25%	1MHz /250mV	700	70
ML2012HP-1R5M-1.7A-LF	1.0 $\pm$ 20%	0.126 $\Omega$ Max.	2MHz /200mV	1700	
ML2012HP-1R8M-LF	1.8 $\pm$ 20%	0.22 $\pm$ 25%	1MHz /250mV	700	60
ML2012HP-2R2M-LF	2.2 $\pm$ 20%	0.25 $\pm$ 25%	1MHz /250mV	600	50
ML2012HP-2R2M-0.9A-LF	2.2 $\pm$ 20%	0.238 $\Omega$ Max.	2MHz /200mV	900	40
ML2012HP-3R3M-LF	3.3 $\pm$ 20%	0.22 $\pm$ 25%	1MHz /250mV	500	40
ML2012HP-4R7M-LF	4.7 $\pm$ 20%	0.30 $\pm$ 25%	1MHz /250mV	500	30
ML2012HP-4R7M-0.6A-LF	4.7 $\pm$ 20%	0.350 $\Omega$ Max.	2MHz /200mV	600	

- Multilayer Ferrite Power Chip Inductors .
- Thickness = 0.90mm $\pm$ 0.10mm
- Test Equipment : HP-E4991A Impedance Analyzer Meter or equivalent .
- Operating Temperature Range: -55 to +125°C
- Class of Magnetic Shield: Magnetic shield of ferrite
- Packing : 7" reel, machine-ready ,embossed plastic tape (4,000 parts per full reel).